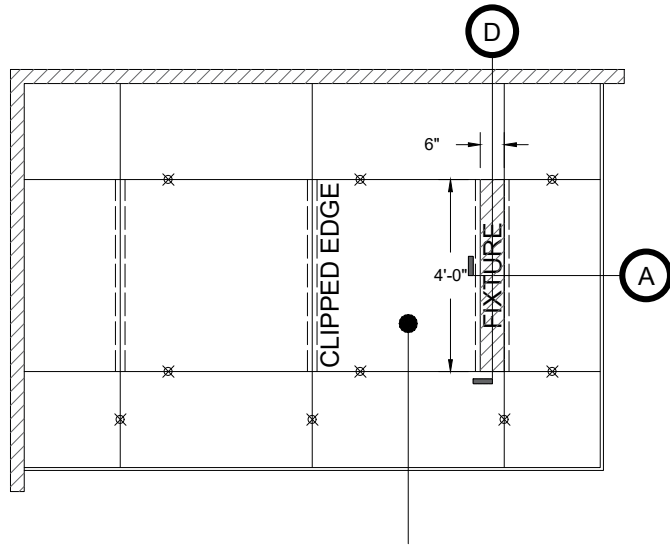


RCP KEY



PANELS CAN BE ORDERED IN 6" LENGTH INCREMENTS TO ALLOW FACTORY FINISHED CLIPPED EDGES

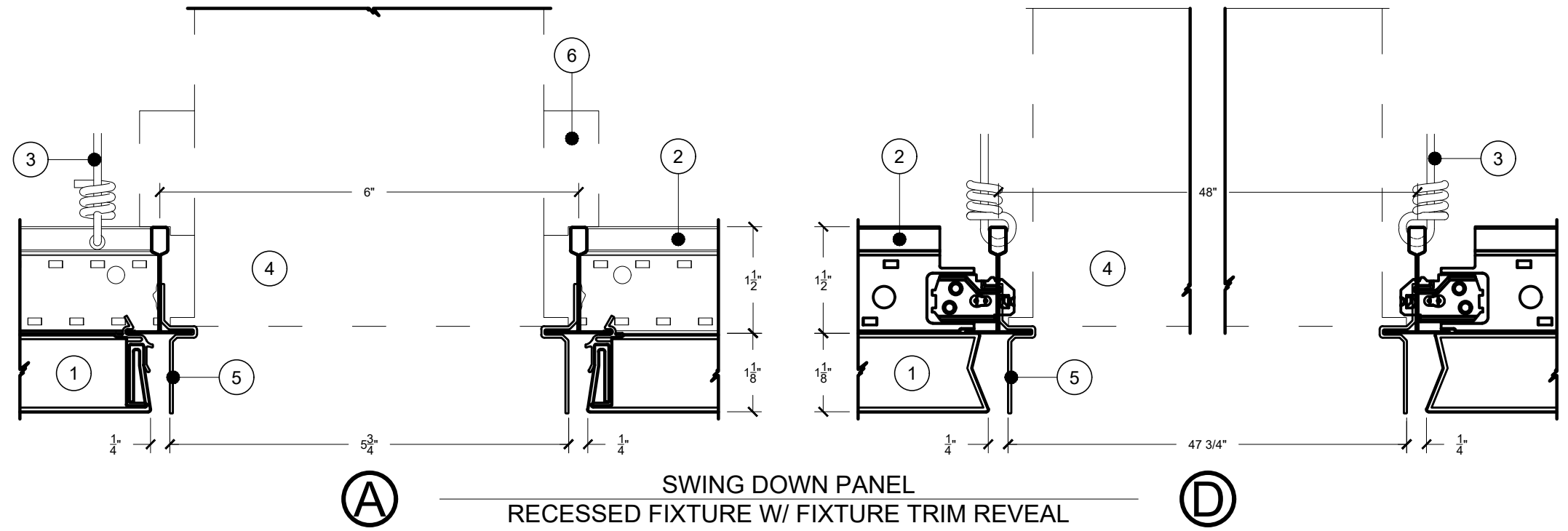
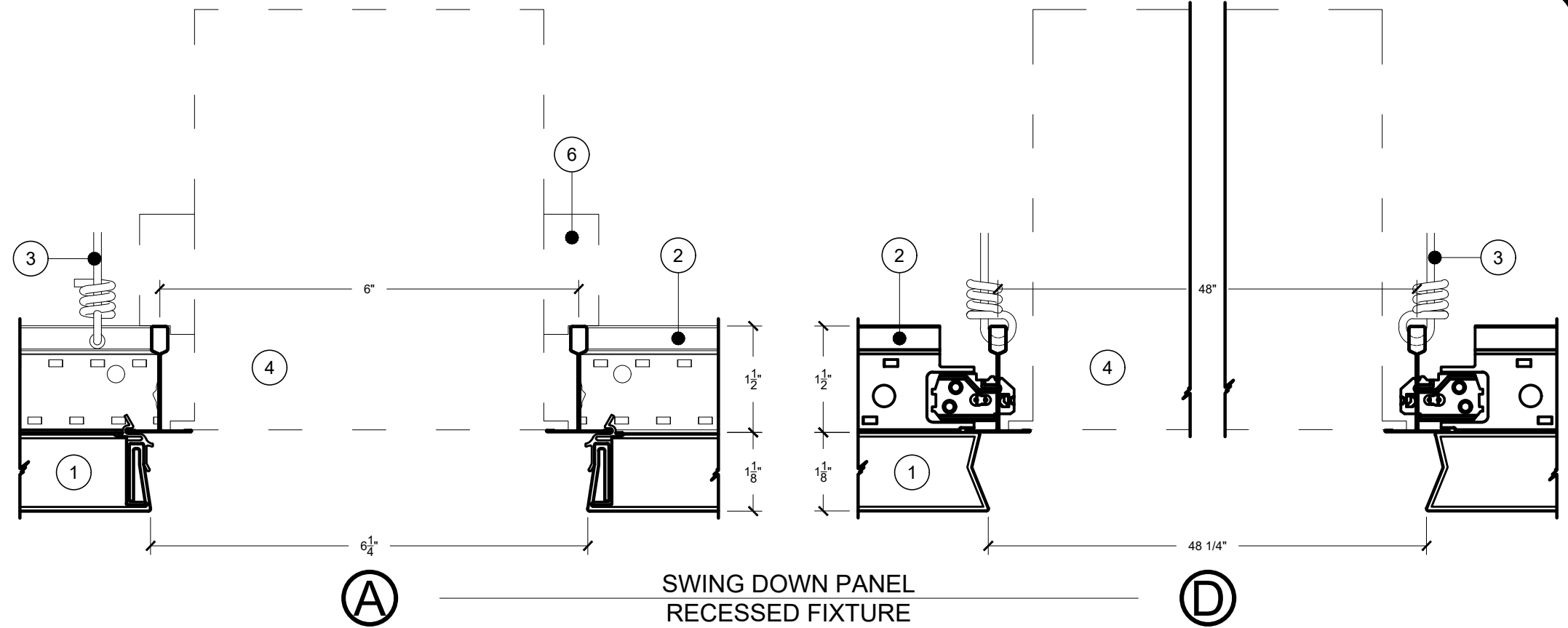
MODULAR LIGHT FIXTURE LENGTH RUNNING PARALLEL TO CLIPPED EDGE

NOTES

1. SWING DOWN PANEL
2. $\frac{15}{16}$ " GRID
3. 12GA HANGER WIRE
4. RECESSED FIXTURE *
5. FIXTURE TRIM REVEAL
6. FIXTURE SUPPORT (BY FIXTURE MANUFACTURER)

*FIXTURE TO BE INDEPENDENTLY SUPPORTED TO STRUCTURE ABOVE(BY OTHERS)

SEE PRE-QUALIFIED MEP COORDINATION FIXTURES [HERE](#).



These drawings show typical conditions for installing the CertainTeed Ceilings product shown. They should not be construed as a substitute for an architectural or engineering design and don't reflect the unique requirements of local codes, laws, statutes or regulations that may be applicable for a specific installation.

CertainTeed Ceilings assumes no liability for the accuracy or completeness of the drawings for a specific installation or the fitness of the drawings for a particular purpose. The user is advised to consult with local licensed design professionals in order to assure compliance with all legal requirements.

CertainTeed is not licensed to provide professional engineering or architectural services.

QUESTIONS? CALL (800) 233-8990

TECHSTYLE CEILING SYSTEM: SWING DOWN FIXTURE RECESSED

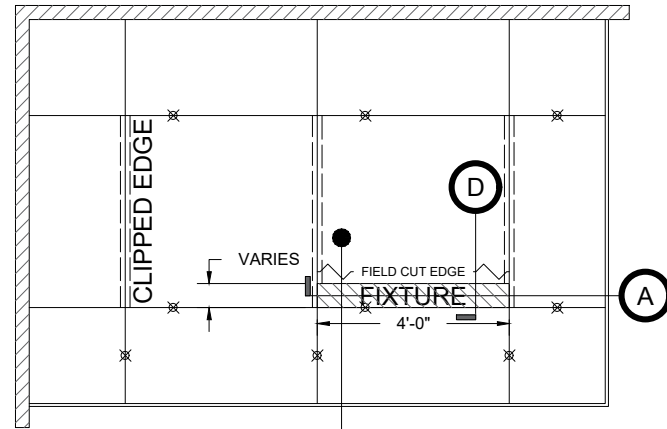
DRAWN: J888053

SCALE: AS NOTED

2/25/2020

SHEET 1 OF 3

RCP KEY



PANEL WIDTH WILL NEED TO BE FIELD CUT TO ALLOW FOR FIXTURE WIDTH

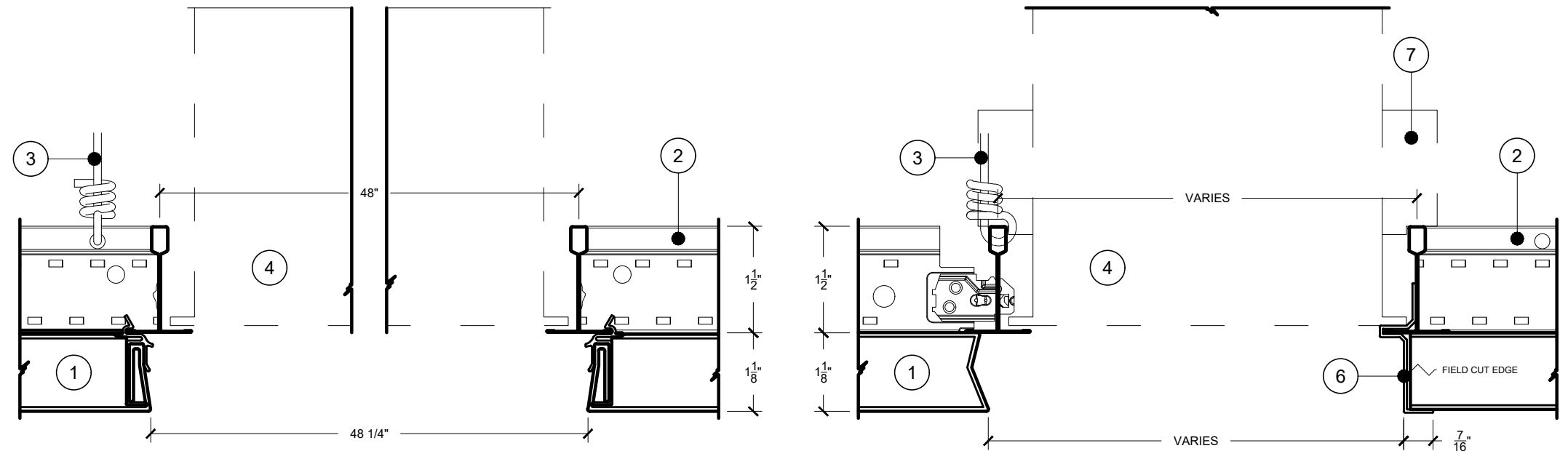
VARIABLE WIDTH LIGHT FIXTURE LENGTH RUNNING PERPENDICULAR TO CLIPPED EDGE

NOTES

1. SWING DOWN PANEL
2. $\frac{15}{16}$ " GRID
3. 12GA HANGER WIRE
4. RECESSED FIXTURE *
5. FIXTURE TRIM REVEAL
6. FIXTURE TRIM FLANGE
7. FIXTURE SUPPORT (BY FIXTURE MANUFACTURER)

*FIXTURE TO BE INDEPENDENTLY SUPPORTED TO STRUCTURE ABOVE (BY OTHERS)

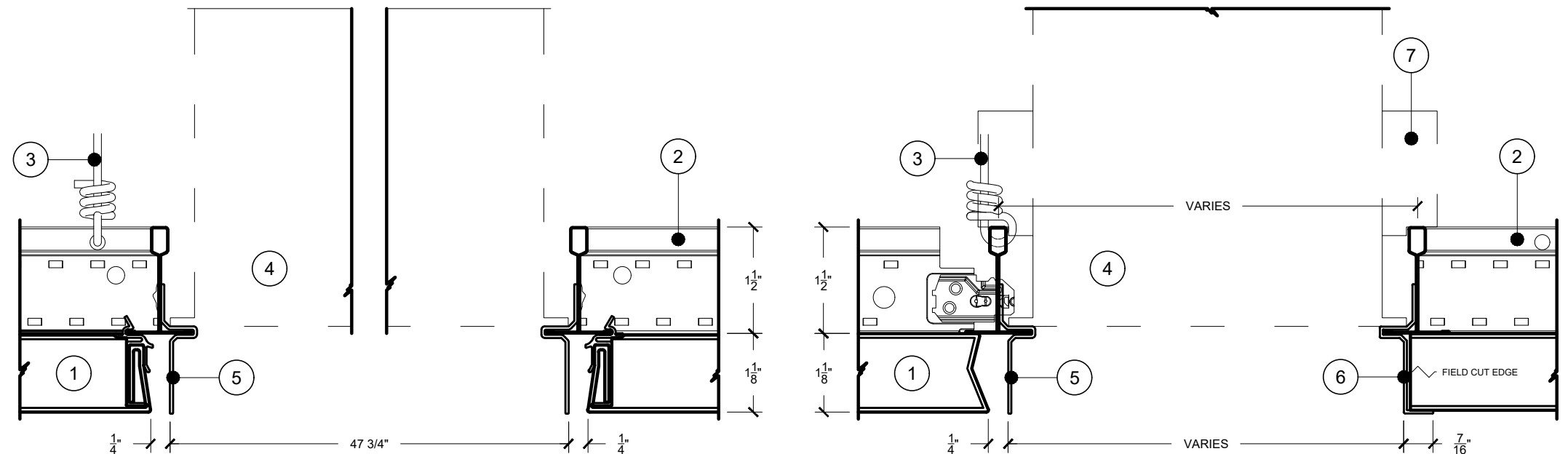
SEE PRE-QUALIFIED MEP COORDINATION FIXTURES [HERE](#).



A

SWING DOWN PANEL RECESSED FIXTURE

D



A

SWING DOWN PANEL RECESSED FIXTURE W/ FIXTURE TRIM REVEAL & FLANGE

D



These drawings show typical conditions for installing the CertainTeed Ceilings product shown. They should not be construed as a substitute for an architectural or engineering design and don't reflect the unique requirements of local codes, laws, statutes or regulations that may be applicable for a specific installation.

CertainTeed Ceilings assumes no liability for the accuracy or completeness of the drawings for a specific installation or the fitness of the drawings for a particular purpose. The user is advised to consult with local licensed design professionals in order to assure compliance with all legal requirements.

CertainTeed is not licensed to provide professional engineering or architectural services.

QUESTIONS? CALL (800) 233-8990

TECHSTYLE CEILING SYSTEM: SWING DOWN FIXTURE RECESSED

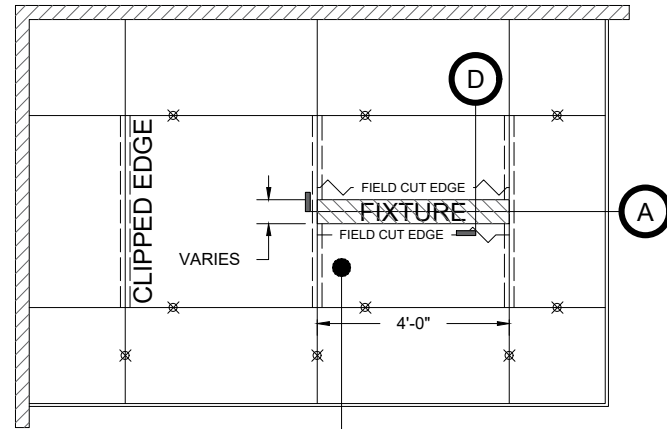
2/25/2020

DRAWN: J888053

SCALE: AS NOTED

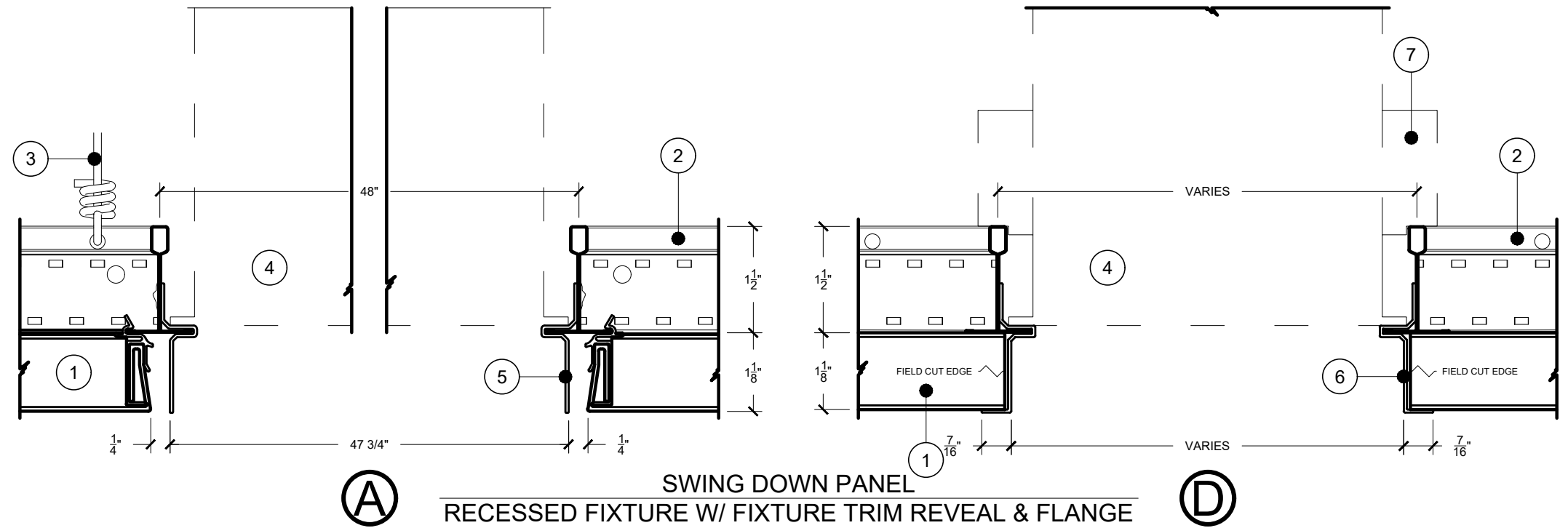
SHEET 2 OF 3

RCP KEY



PANEL WIDTH WILL NEED TO BE FIELD CUT TO ALLOW FOR FIXTURE WIDTH

VARIABLE LIGHT FIXTURE LOCATED WITHIN PANEL



NOTES

1. SWING DOWN PANEL
2. $\frac{15}{16}$ " GRID
3. 12GA HANGER WIRE
4. RECESSED FIXTURE *
5. FIXTURE TRIM REVEAL
6. FIXTURE TRIM FLANGE
7. FIXTURE SUPPORT (BY FIXTURE MANUFACTURER)

*FIXTURE TO BE INDEPENDENTLY SUPPORTED TO STRUCTURE ABOVE (BY OTHERS)

SEE PRE-QUALIFIED MEP COORDINATION FIXTURES [HERE](#).



These drawings show typical conditions for installing the CertainTeed Ceilings product shown. They should not be construed as a substitute for an architectural or engineering design and don't reflect the unique requirements of local codes, laws, statutes or regulations that may be applicable for a specific installation.

CertainTeed Ceilings assumes no liability for the accuracy or completeness of the drawings for a specific installation or the fitness of the drawings for a particular purpose. The user is advised to consult with local licensed design professionals in order to assure compliance with all legal requirements.

CertainTeed is not licensed to provide professional engineering or architectural services.

QUESTIONS? CALL (800) 233-8990

TECHSTYLE CEILING SYSTEM: SWING DOWN FIXTURE RECESSED

2/25/2020

DRAWN: J888053

SCALE: AS NOTED

SHEET 3 OF 3