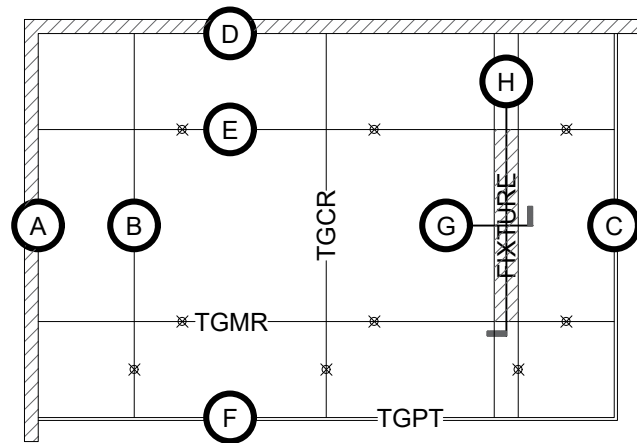
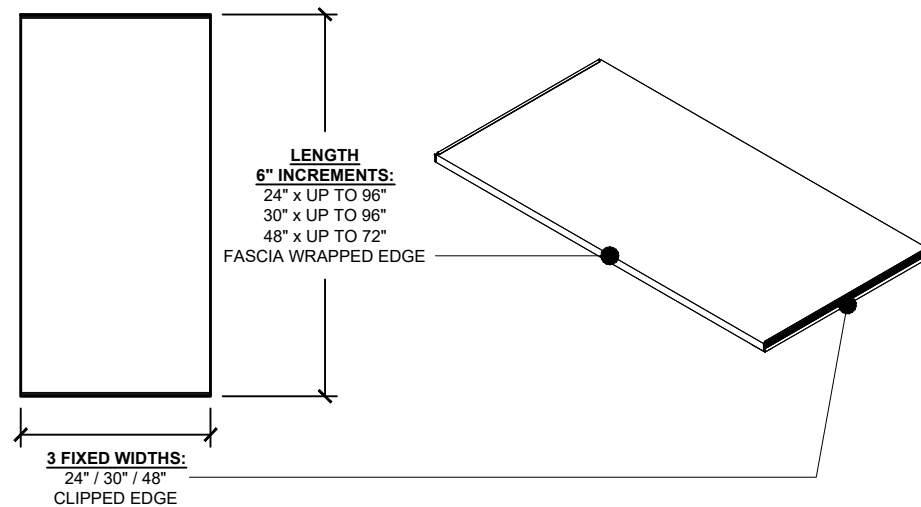


RCP KEY

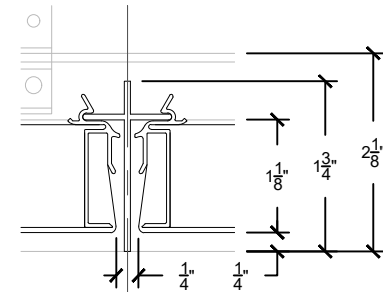


PANEL



DETAIL

SCALE: 6" = 1'-0"

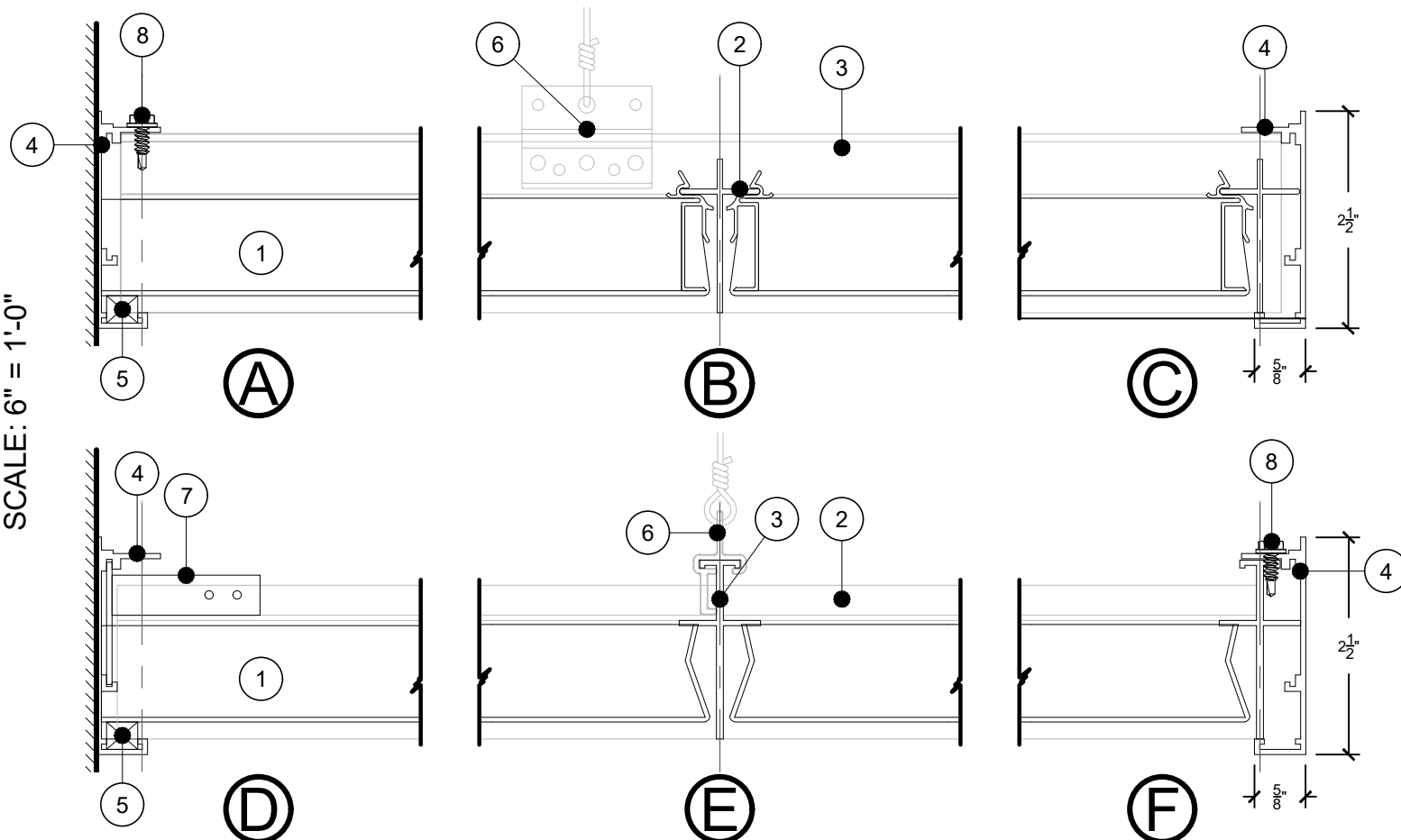


NOTES

1. SWING DOWN PANEL
2. CROSS RUNNER (TSCR)
3. MAIN RUNNER (TSMR)
4. PERIMETER TRIM (TGPT)
5. GAP FILLER INSERT
6. UNIVERSAL SADDLE
7. TC2 CLIP
8. SCREW

SYSTEM DETAILS

SCALE: 6" = 1'-0"



SWING DOWN PANEL
TECHSTYLE GRID SYSTEM



These drawings show typical conditions for installing the CertainTeed Ceilings product shown. They should not be construed as a substitute for an architectural or engineering design and don't reflect the unique requirements of local codes, laws, statutes or regulations that may be applicable for a specific installation.

CertainTeed Ceilings assumes no liability for the accuracy or completeness of the drawings for a specific installation or the fitness of the drawings for a particular purpose. The user is advised to consult with local licensed design professionals in order to assure compliance with all legal requirements.

CertainTeed is not licensed to provide professional engineering or architectural services.

QUESTIONS? CALL (800) 233-8990

TECHSTYLE GRID SYSTEM

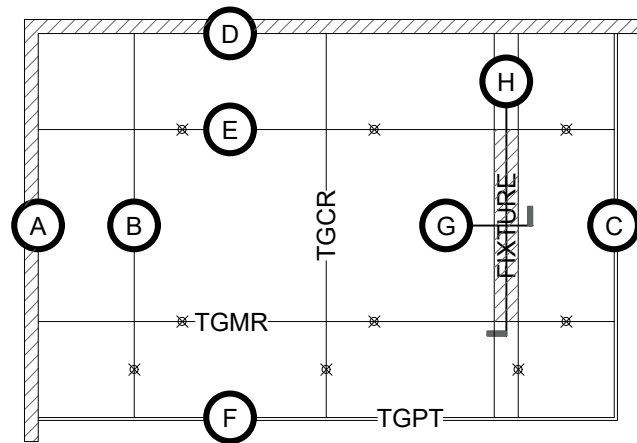
2/25/2020

DRAWN: J888053

SCALE: AS NOTED

SHEET 1 OF 3

RCP KEY

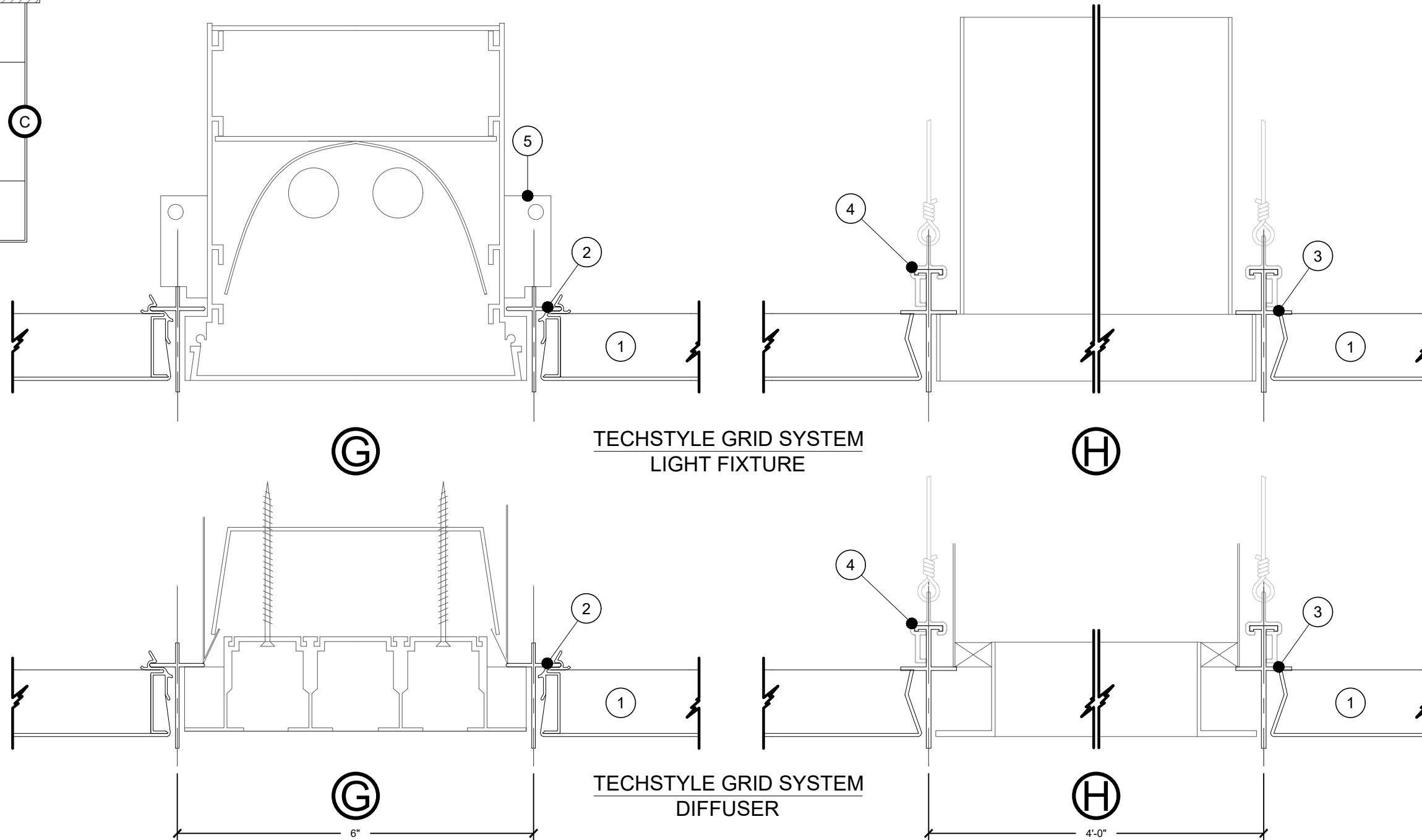


NOTES

1. SWING DOWN PANEL
2. CROSS RUNNER (TSCR)
3. MAIN RUNNER (TSMR)
4. UNIVERSAL SADDLE
5. FIXTURE SUPPORT (BY FIXTURE MANUFACTURER)

*FIXTURE TO BE INDEPENDENTLY SUPPORTED TO STRUCTURE ABOVE (BY OTHERS)

SEE PRE-QUALIFIED MEP COORDINATION FIXTURES [HERE](#).



INTEGRATION

SCALE: 6" = 1'-0"



These drawings show typical conditions for installing the CertainTeed Ceilings product shown. They should not be construed as a substitute for an architectural or engineering design and don't reflect the unique requirements of local codes, laws, statutes or regulations that may be applicable for a specific installation.

CertainTeed Ceilings assumes no liability for the accuracy or completeness of the drawings for a specific installation or the fitness of the drawings for a particular purpose. The user is advised to consult with local licensed design professionals in order to assure compliance with all legal requirements.

CertainTeed is not licensed to provide professional engineering or architectural services.

QUESTIONS? CALL (800) 233-8990

TECHSTYLE GRID SYSTEM INTEGRATION

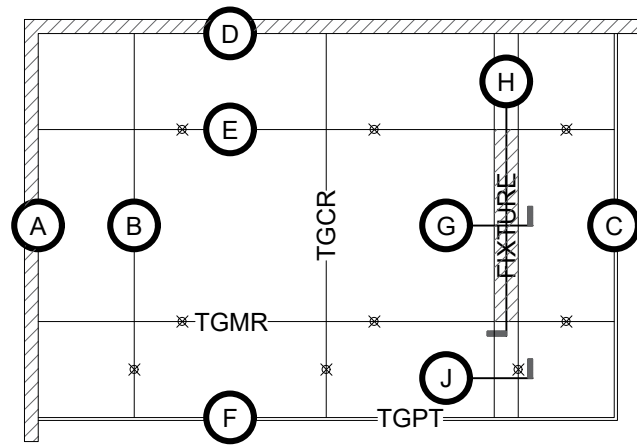
DRAWN: J888053

SCALE: AS NOTED

2/25/2020

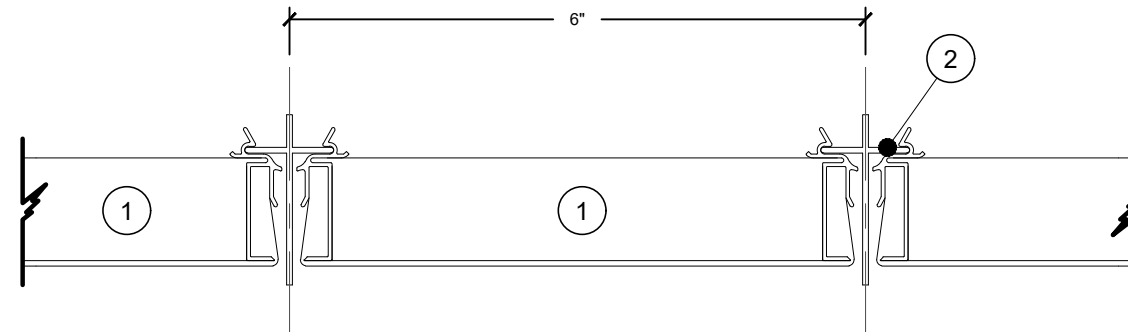
SHEET 2 OF 3

RCP KEY

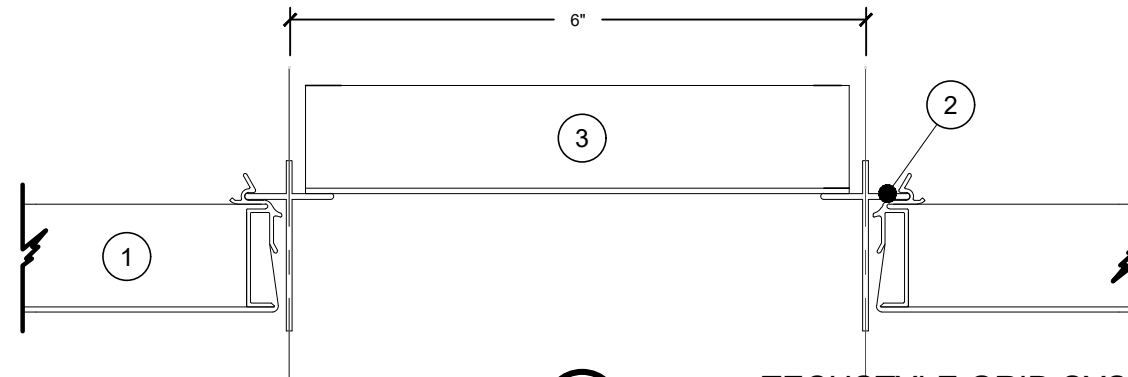


NOTES

- 1. SWING DOWN PANEL
- 2. CROSS RUNNER (TSCR)
- 3. LAY IN PANEL



J TECHSTYLE GRID SYSTEM
48" x 6" SWING DOWN 'TECH' PANEL



J TECHSTYLE GRID SYSTEM
48" x 6" LAY IN 'TECH' PANEL

6" 'TECH' PANEL

SCALE: 6" = 1'-0"



These drawings show typical conditions for installing the CertainTeed Ceilings product shown. They should not be construed as a substitute for an architectural or engineering design and don't reflect the unique requirements of local codes, laws, statutes or regulations that may be applicable for a specific installation.

CertainTeed Ceilings assumes no liability for the accuracy or completeness of the drawings for a specific installation or the fitness of the drawings for a particular purpose. The user is advised to consult with local licensed design professionals in order to assure compliance with all legal requirements.

CertainTeed is not licensed to provide professional engineering or architectural services.

QUESTIONS? CALL (800) 233-8990

TECHSTYLE GRID SYSTEM 6" TECH PANEL

2/25/2020

DRAWN: J888053

SCALE: AS NOTED

SHEET 3 OF 3