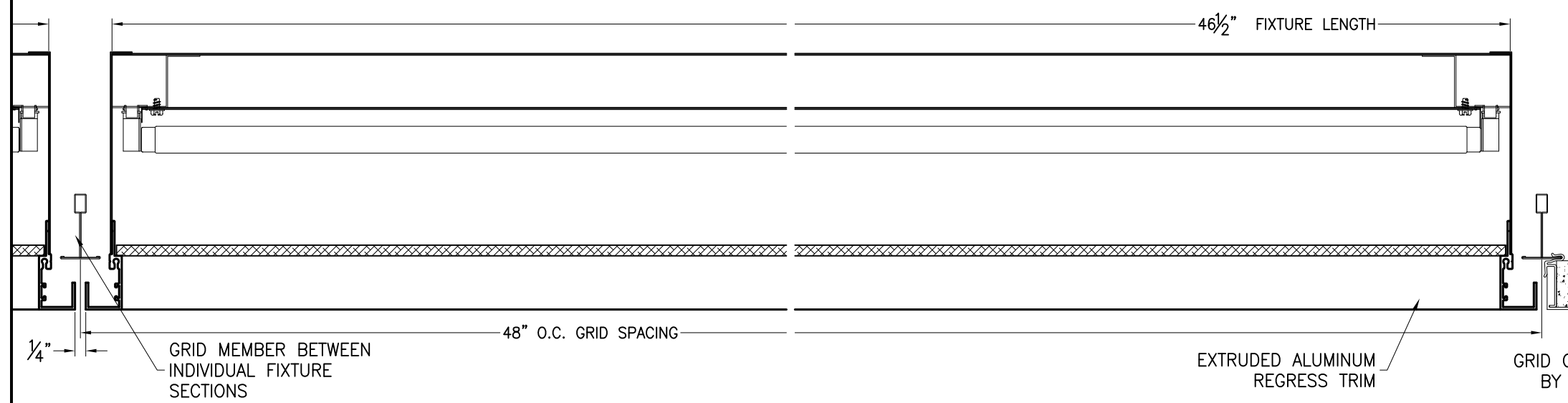
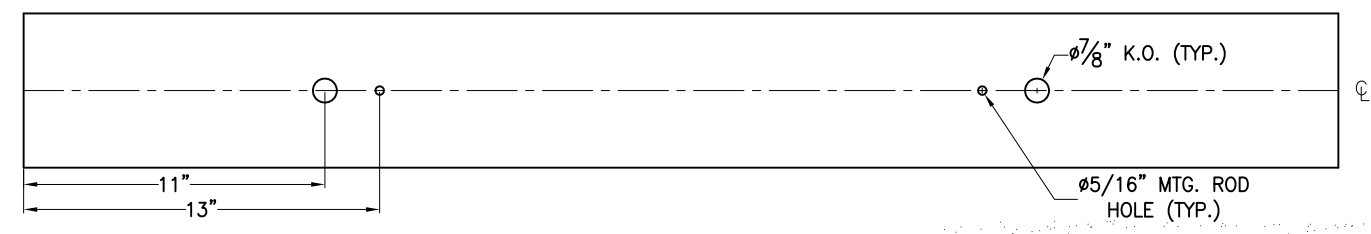
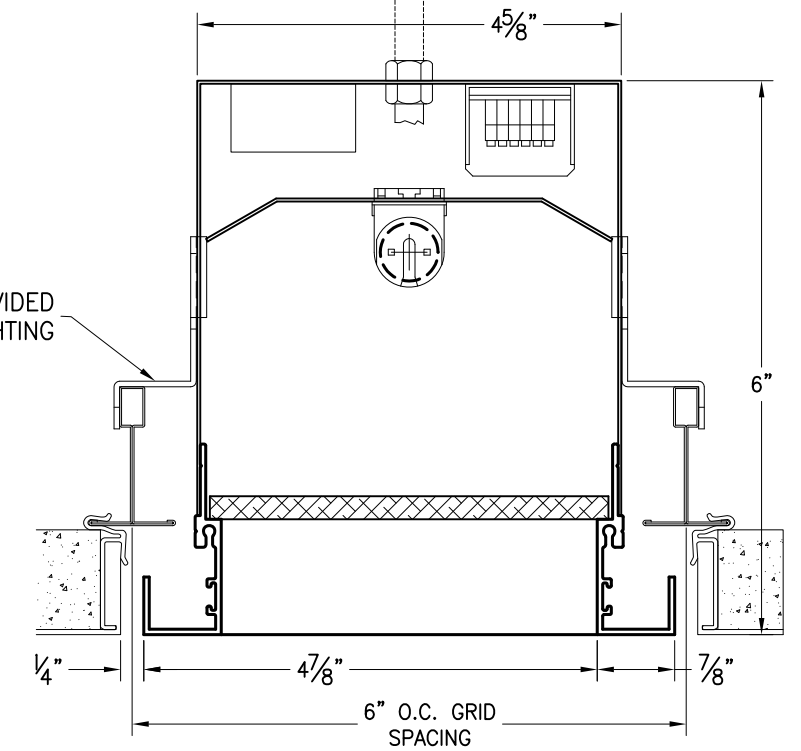


This document, the designs and information presented hereon are the confidential and proprietary property of Mark Architectural Lighting and is presented for the sole use of conveying product data to our customer. The use, reproduction or divulging of its contents without the consent or knowledge of Mark Architectural Lighting is prohibited.

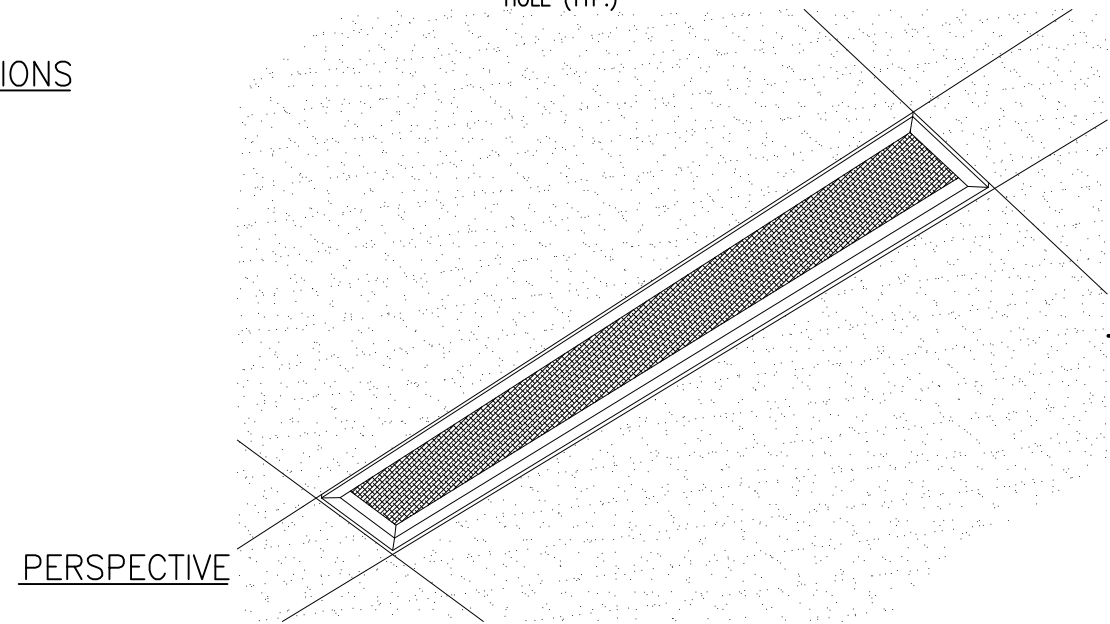
Rev.	Description	Date	By



MOUNTING MEANS TO BE COORDINATED WITH CONTRACTOR



TYP. MOUNTING AND FEED LOCATIONS



PERSPECTIVE

CATALOG NO.:
SL6-TS-6X-1/2T5-MOD-FA-VOL

SPECIFICATIONS

- LIGHTING** DIRECT
 - MOUNTING** RECESSED IN 15/16" TEE CEILING WITH 1 1/8" TECHSTYLE ACOUSTICAL TILE
 - NOMINAL SIZE** 6" X 6" X 36", 48", 60" 72" & 96" NOMINAL SECTIONS
 - BALLAST** ELECTRONIC HPF LOW PROFILE FLUORESCENT AND ELECTRONIC LOW VOLTAGE TRANSFORMER MOUNTED WITHIN FLUORESCENT HOUSING. ADVISE VOLTAGE
 - LAMPS** (1) OR (2) T5/T5HO LAMPS PER FIXTURE SECTION (NOT BY MARK)
 - REFLECTOR** DIE FORMED 20 GA. C.R.S., HIGH REFLECTANCE BAKED WHITE ENAMEL FINISH
 - LENS** NOMINAL 1/4" THICK FROSTED CLEAR ACRYLIC
 - MATERIAL** HOUSING AND INTERNAL COMPONENTS TO BE 20 GA. C.R.S. REGRESSED TRIM TO BE EXTRUDED ALUMINUM WITH MITERED CORNERS
 - FINISH** BAKED MATTE WHITE ENAMEL RECESSED TRIM
- U.L. LISTED AND UNION MADE IN THE U.S.A., IBEW, AFL/CIO

TYPES:

CATALOG NO.										ORDER NO.									
-------------	--	--	--	--	--	--	--	--	--	-----------	--	--	--	--	--	--	--	--	--

TYPE	QTY	RUN LENGTH	3FT				4FT				5FT				6FT				8FT							
			IND	BOR	INT	EOR	IND	BOR	INT	EOR	IND	BOR	INT	EOR	IND	BOR	INT	EOR	IND	BOR	INT	EOR				
TOTALS																										



3 Kilmer Road
Edison, NJ 08817
Ph: 732-985-2600
Fax: 732-985-8441

mark architectural lighting

Project:		
SLOT SERIES - TECHSTYLE CEILING		
Distributor:		
By: NP	Date: 05/20/09	Scale: N.T.S.
Dwg. no.: B15708	Size: B	Rev.